

# Chrome Luminescent Pushbuttons Panel Mounting Update

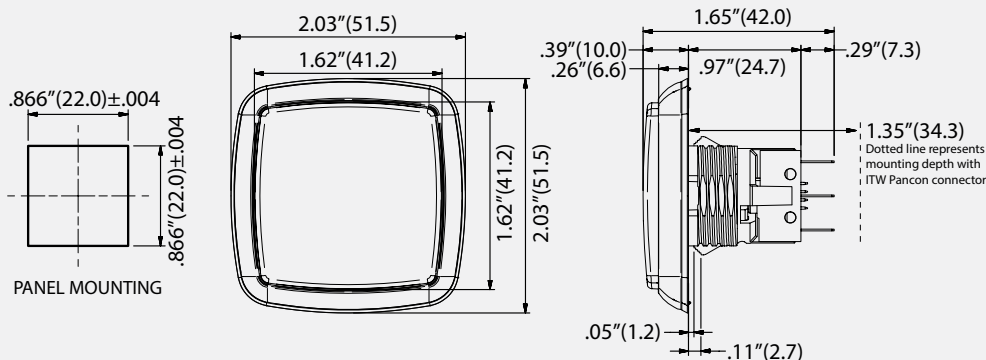
**Alert:** Panel mounting dimensions for the Chrome-Luminescent Series of pushbutton from Suzo-Happ have changed. Updated dimensions and tolerances for these pushbuttons are listed below:



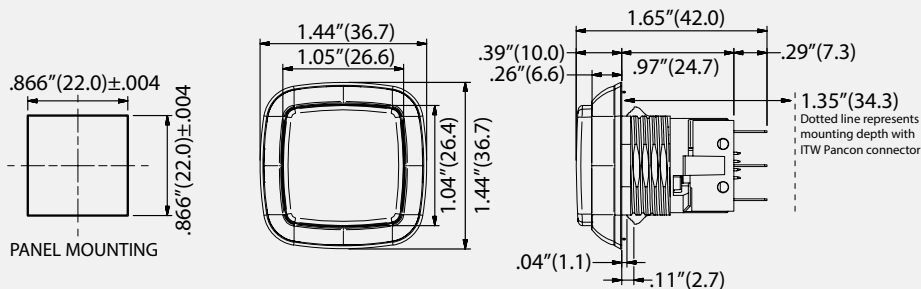
**Nut over Snap-Tab Feature**  
(Nut Sold Separately Part No. RBM-K730-001)

**ITW Pancon Switch-Con Connector**

## LARGE SQUARE\*\*



## SMALL SQUARE\*\*



\*\* These dimensions are for reference only, please contact the Suzo-Happ Engineering Department for the latest drawings

**SUZO-HAPP GROUP**

1743 Linneman Road Mount Prospect, IL 60056  
 Phone 847-593-6130 | Fax 847-593-6137  
 Toll Free Phone 888-289-4277 | Las Vegas Phone 888-289-4277  
 Toll Free Fax 800-593-4277 | Minnesota Phone 800-511-1796 x7214

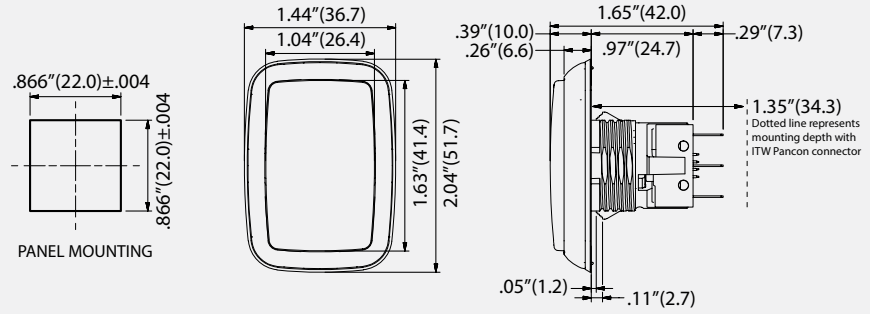
EASY-TO-USE  
 SHOPPING CART ONLINE  
 24 HOURS A DAY  
**[suzohapp.com](http://suzohapp.com)**



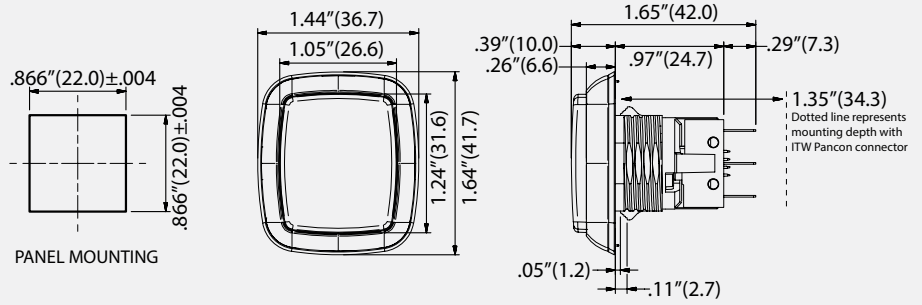
SAFE SIGN-UP  
 FOR EMAIL  
 PROMOTIONS NOT  
 AVAILABLE IN OUR  
 PRINT FLYERS



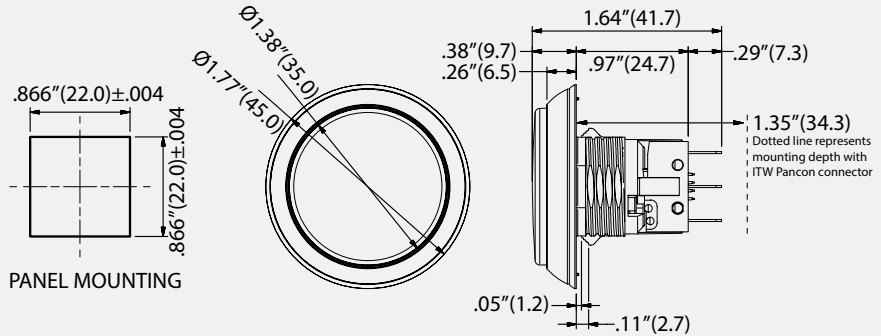
**LARGE RECTANGLE\*\***



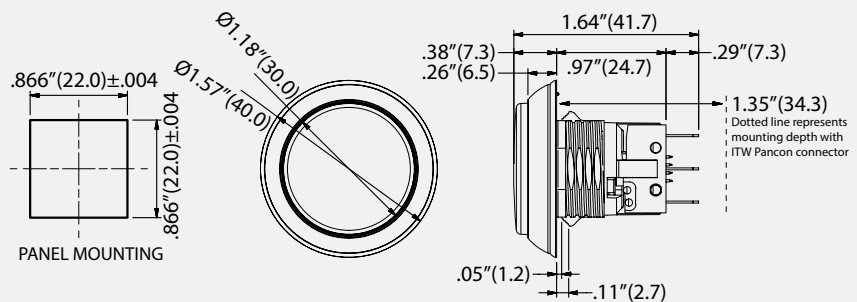
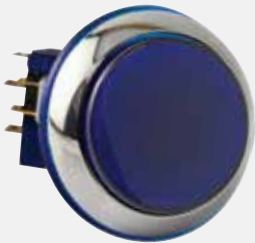
**SMALL RECTANGLE\*\***



**LARGE ROUND\*\***



**SMALL ROUND\*\***



**Design Your Chrome-Luminescent Pushbutton with the Matrix Below**

**RBM-730S- S C L**  
 Size Color Luminescent Color, Bezel

S = Size	C = Lens Color	L = Luminescent Effect, Bezel
A = Large Square	2 = Red	2 = Red
B = Small Square	3 = Amber (Orange)	3 = Amber (Orange)
C = Large Rectangle	4 = Yellow	4 = Yellow
D = Small Rectangle	5 = Green	5 = Green
E = Large Round	6 = Blue	6 = Blue
F = Small Round	9 = White	9 = White

Nut Sold Separately, Part Number **RBM-K730-001**

\*\* These dimensions are for reference only, please contact the Suzo-Happ Engineering Department for the latest drawings

**SUZO-HAPP GROUP**

1743 Linneman Road Mount Prospect, IL 60056  
 Phone 847-593-6130 | Fax 847-593-6137  
 Toll Free Phone 888-289-4277 | Las Vegas Phone 888-289-4277  
 Toll Free Fax 800-593-4277 | Minnesota Phone 800-511-1796 x7214

**EASY-TO-USE SHOPPING CART ONLINE 24 HOURS A DAY**  
[suzohapp.com](http://suzohapp.com)



**SAFE SIGN-UP FOR EMAIL PROMOTIONS NOT AVAILABLE IN OUR PRINT FLYERS**



or sign-up at [na.suzohapp.com](http://na.suzohapp.com)